



N° OF
DOORS



MAX. DOOR
WEIGHT



DOOR
WIDTH



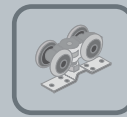
DOOR
MATERIAL



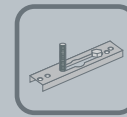
WOOD DOOR
THICKNESS



GLASS DOOR
THICKNESS



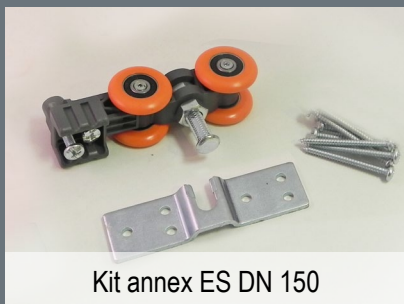
USE WITH
KIT ANNEX ES DN 150



USE WITH
KIT ANNEX DN 150 OCFT



Easy Soft DN 150



Kit annex ES DN 150



Kit annex ES DN 150 OC FT



Accessory for 85 to 150Kg ambience dividing doors, it allows closing the door softly and safely.

APPLICATIONS

- | Wood and glass ambience divider doors.
- | Wood and glass doors.

FEATURES

- | It can be used with heavy (85 to 150Kg) wood or glass doors.
- | The system is hidden in the U 150 track, thus hiding the iron fitting
- | Long travel sealed piston, it provides greater stability to the door's trajectory, avoiding the pitching phenomenon when closing the door.
- | The piston functions with a hybrid mixture of fluids that allow the elimination of springs, avoiding jamming and damage, extending the system's service life.
- | Activator with aluminum bar which allows to adjust the position for an easier installation.
| The activator has a cushioned brake.
- | For application in glass doors it is necessary to purchase the Clamp Kit and Clamp complement kit corresponding to the glass width.



BEARING



SALINITY TEST

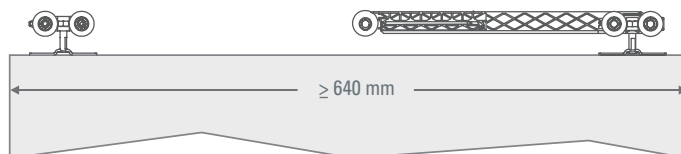


ANSI - BHMA
UNE - EN

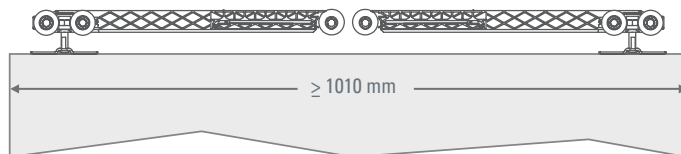
Possible configurations

	1		2		3		4		5		6	
	1 ES	2 ES	1 ES	2 ES	1 ES	2 ES	1 ES	2 ES	1 ES	2 ES	1 ES	2 ES
	DN 150 CF	DN 150 CF	DN 150 VD	DN 150 VD	DN150 OCFT	DN150 OC FT						
A Easy Soft DN 150	x 1	x 2	x 1	x 2	x 1	x 2						
B Kit annex ES DN 150	x 1		x 1									
C Kit annex ES DN 150 OC FT					x 1	x 1						
D Kit Mordaza Presión			x 1	x 1								
E Kit complements 8-10			x 1	x 1								
F Kit complements 12-13			ó x 1	ó x 1								

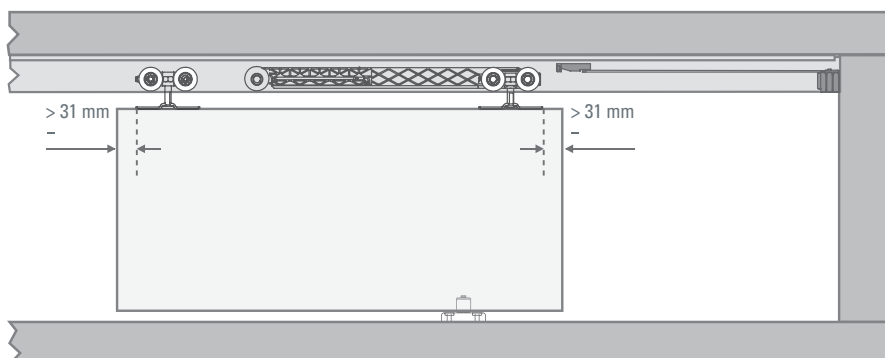
1 Easy Soft + DN 150



2 Easy Soft + Easy Soft



Superimposed installation with wooden door



(*) ALL DIMENSIONS ARE IN MM., CM., KG. USA DIMENSIONS ARE APPROXIMATE
 (*) Product tested using ANSI-BHMA protocol. For more information see the glossary of terms.

EASY SOFT DN 150

10107026510

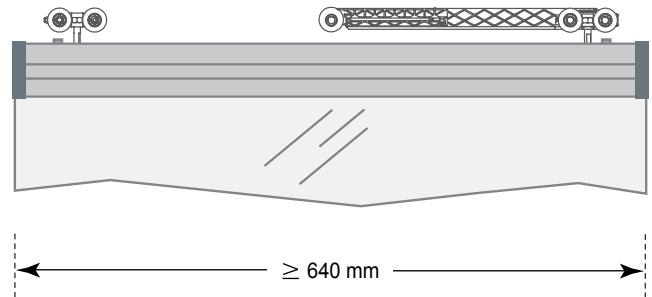
- A** 1 Easy Soft
- B** 1 Soft Close Activator
- C** 1 Mounting Plate
- D** 1 Floor Guide GPR
- E** 1 Segmenta key
- F** Screws

KIT ANNEX ES DN 150

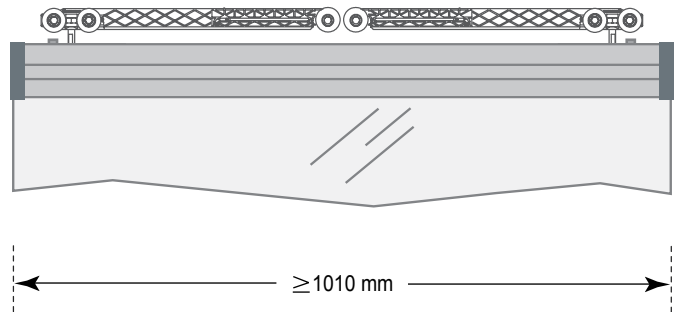
10107026520

- A** 1 Carrier DN 150
- B** 1 Stopper DN 150
- C** 1 Mounting Plate
- D** Screws

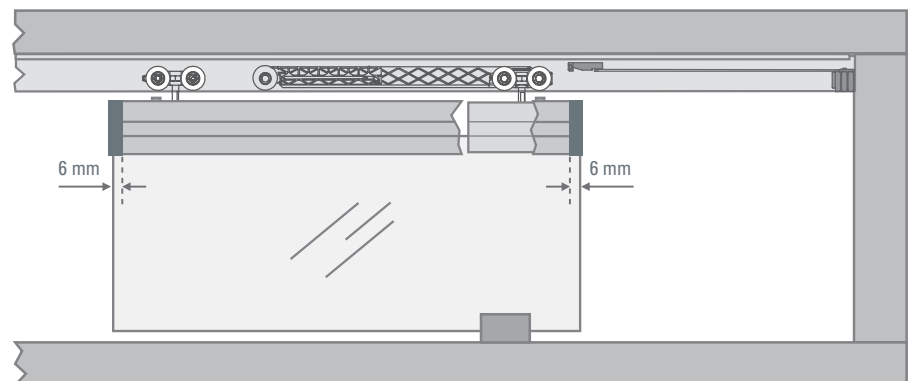
3 Easy Soft + DN 150 VD



4 Easy Soft + Easy Soft

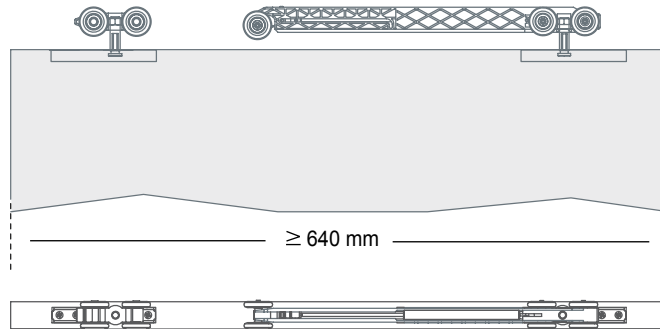


Installation with glass door

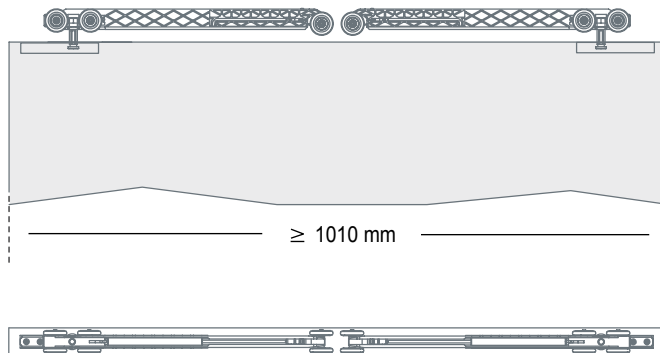


(***ALL DIMENSIONS ARE IN MM., CM., KG. USA DIMENSIONS ARE APPROXIMATE**
(***Product tested using ANSI-BHMA protocol. For more information see the glossary of terms.**

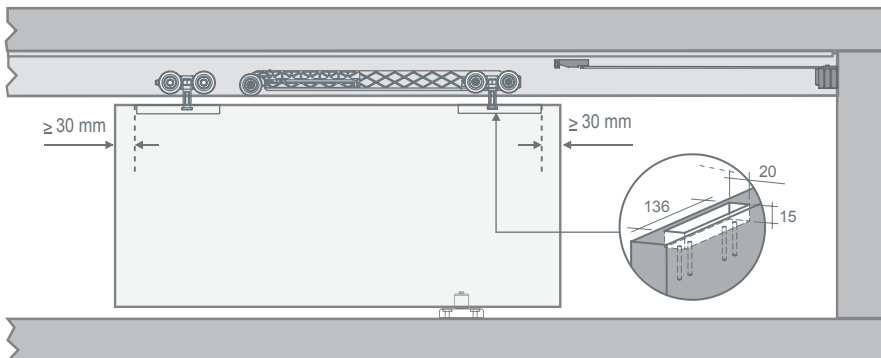
5 Easy Soft + DN 150 OC FT



6 Easy Soft + Easy Soft



Embedded installation with wooden door



TRACK U 150 AL
2.0 m. 10100605620
3.0 m. 10100605630
6.0 m. 10100605660



TRACK U 150 SMOOTH
2 m. 10100605692
3 m. 10100605693
6 m. 10100605696

ACCESSORIES



Kit Pressure/Perforated Clamp
ref. 10300001501



**Kit complements
compression clamp 8-10**
ref. 10300001205



**Kit complements
compression clamp 12-13**
ref. 10300001208

(*) ALL DIMENSIONS ARE IN MM., CM., KG. USA DIMENSIONS ARE APPROXIMATE
(**) Product tested using ANSI-BHMA protocol. For more information see the glossary of terms.